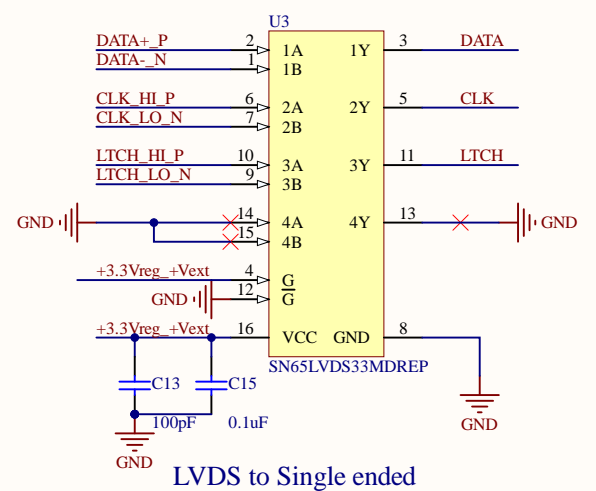
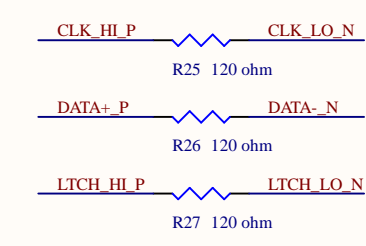
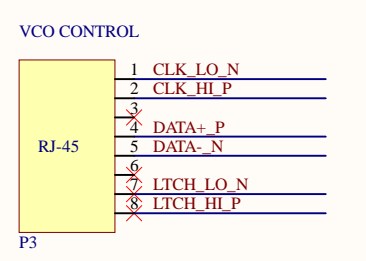
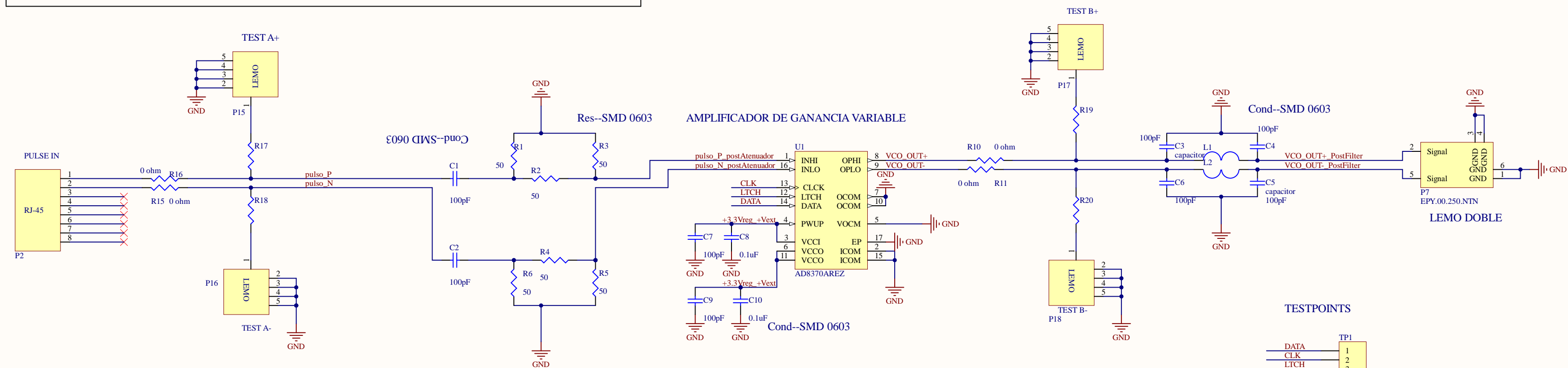
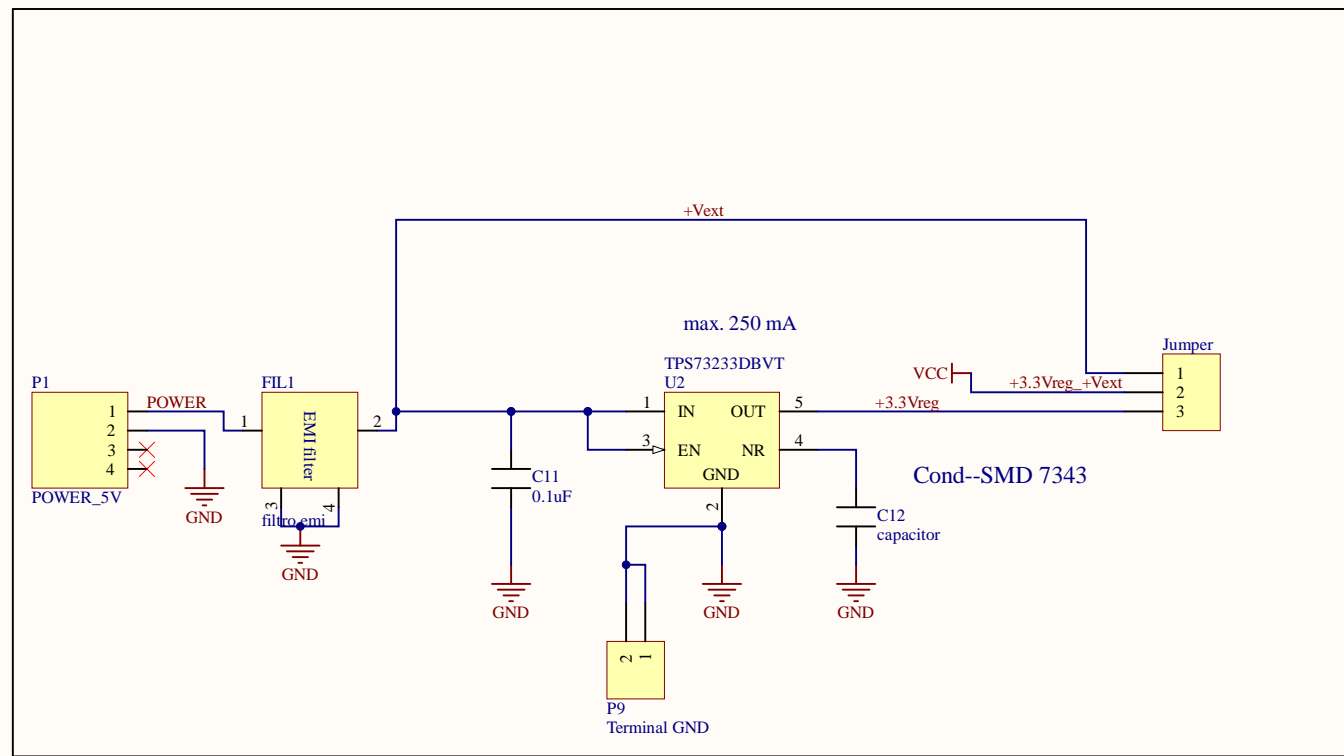
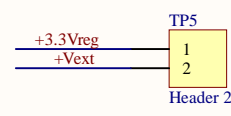
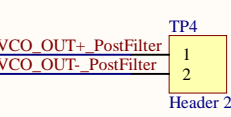
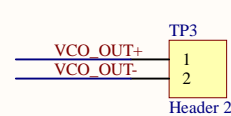
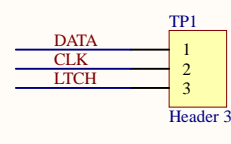


**POWER**



**TESTPOINTS**



|       |                                     |           |
|-------|-------------------------------------|-----------|
| Title |                                     |           |
| Size  | Number                              | Revision  |
| A3    |                                     |           |
| Date: | 8/30/2022                           | Sheet of  |
| File: | E:\CERNBox\...VGA_test_board.SchDoc | Drawn By: |